



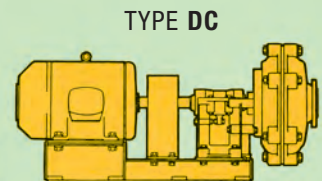
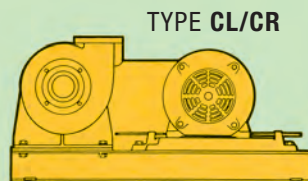
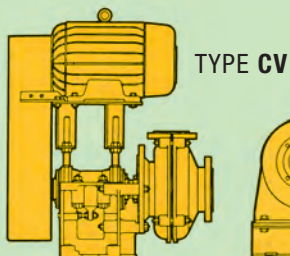
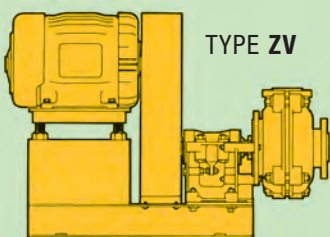
Schlamm-Pumpen · Slurry Pumps

leichte Ausführung · medium duty (SC)

Type
MP_L



Motoranordnungen · Motor Mountings

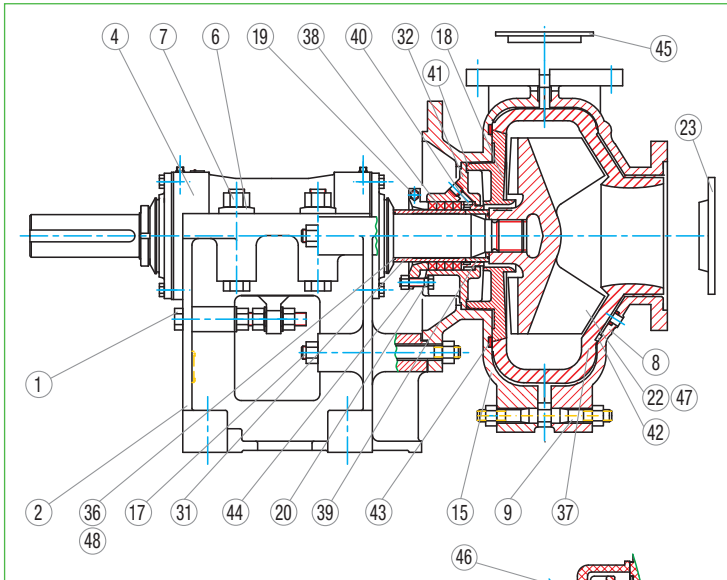




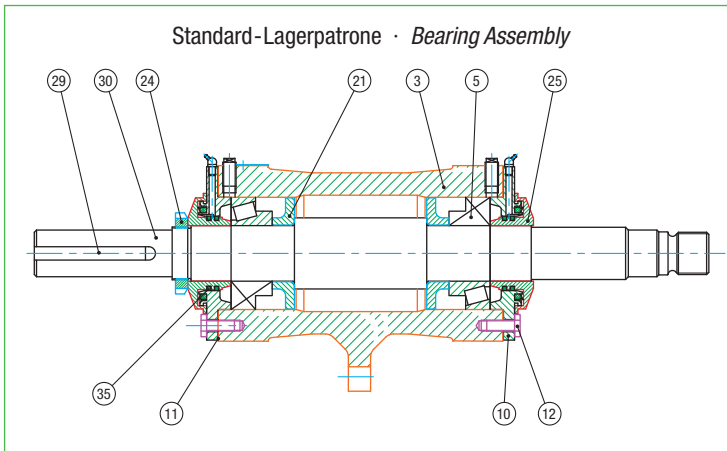
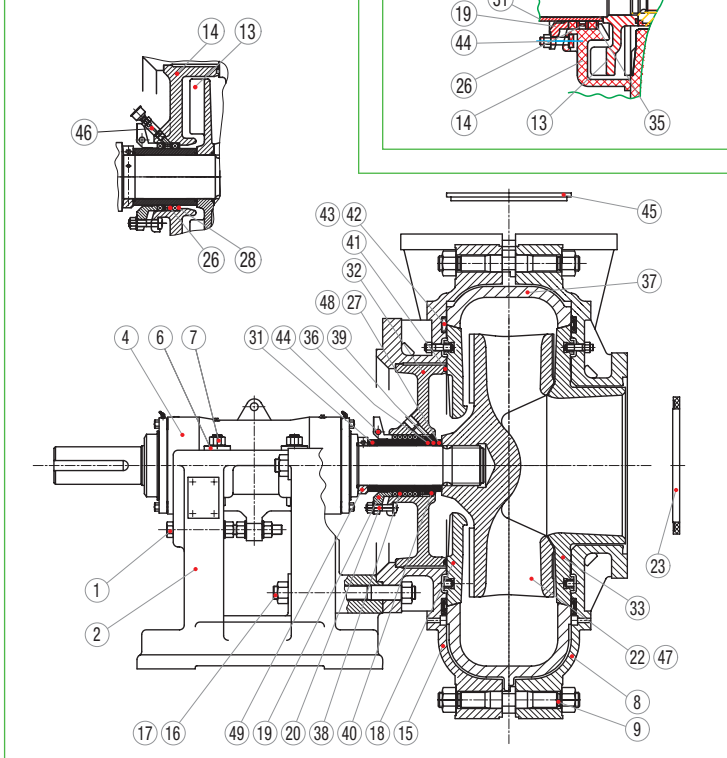
Ersatzteilliste

für MPL Pumpen

- 1) Nur für zentrifugale Wellenabdichtung
- 2) Nur für Stopfbuchsabdichtung



400 ST-MPL – 550 TU-MPL



Art. Nr.	BESCHREIBUNG	DESCRIPTION	Code	BASIC Nr.
1	Stellschraube	Adjusting Screw	S	001
2	Lagerstuhl	Base	D/G	003
3	Lagergehäuse	Bearing Housing	D/G	004
4	Lagerpatrone	Bearing Assembly	—	005
5	Timken Lager	Bearing	—	009
			—	009 D
6	Spannscheibe	Clamp Washer	S	011
7	Spannbolzen und -mutter	Clamp Bolt and Nut	S	012
8	Gehäusehälfte saugs.	Cover Plate	D/G	013
9	Gehäusebolzenmutter	Cover Plate Bolt	S	015
10	Lagerdeckel	End Cover	D/G	024
11	Abstandscheibe	End Cover Shim	S	025
12	Sechskantschrauben	End Cover Set Screw	S	027
13	Zentrifugalrad	Expeller	A 1	028
14	Zentrifugalrad-Gehäuse	Expeller Ring	A 1	029
15	Gehäusehälfte antriebs.	Frame Plate	D/G	032
16	Bolzen Zwischenplatte	Frame Plate Bolt	S	034
17	Bolzen Spiralgeh. Druck	Frame Plate Stud	S	039
18	Hinterer Schleiswand	Frame Plate Liner Insert	A/R	041
19	Stopfbuchsbrille	Gland	D	044
20	Hammer-Schraube	Gland Bolt	S	045
21	Fangschale	Grease Retainer	D	046
22	LaufRad 8-flüg.	Impeller - 8 Vane	—	053
	LaufRad 4-flüg.	Impeller - 4 Vane	—	056
23	Flanschdichtung saugs.	Intake Joint Ring	R	060
24	Wellenmutter & -scheibe	Labyrinth Locknut & Washer	S	061
			S	062
25	Labyrinth	Labyrinth	S	062DM
26	Sperring	Lantern Ring	S 1	063
27	O-Ring	Impeller »O« Ring	R	064
28	Scheibe	Neck Ring	S 1	067
29	Passfeder	Pulley Key	S	070
30	Welle	Shaft	S	073
31	Wellenschutzhülse	Shaft Sleeve	S	075
32	Stopfbuchse	Stuffing Box	A/D/G2	078
33	Einlaufmuffe	Throatbush	A	083
34	Lagerdichtung	Bearing Seal	—	089
35	Dichtring Metall	Piston Ring	G	108
36	O-Ring	Shaft »O« Ring	R	109
37	Spiralgehäuseeinsatz	Volute Liner	A	110
38	Stopfbuchspackung	Packing Ring	—	111
39	Verlängerung Wellen Sch.	Shaft Spacer	S 2	117
40	Sperring-Buchse	Lantern Restrictor	S 2	118
41	Expellergehäuse-Dichtung	Expeller Ring Seal	R	122
42	Dichtung Spiralgeh. saugs.	Volute Cover Seal	R	124
43	Dichtung Spiralgeh. Antr.	Back Liner Seal	R	124
44	Bolzen f. Stopfbuchsbrille	Gland Clamp Bolt	R	126
45	Flachdichtung Druck	Discharge Joint Ring	R	132
46	Schmieradapter	Grease Cup Adaptor	—	138
47	LaufRad	Impeller	—	147
48	O-Ring	»O« Ring	R	210
49	Öffnungsring	Release Collar Assy.	S	239



Spare Parts List

for *MPL* Pumps

- 1) Only for Expeller Sealing
- 2) Only for Gland Shaft Seal

50 B-MPL (3/2 BSC)	Stk. Pcs.	75 C-MPL (4/3 CSC)	Stk. Pcs.	100 D-MPL (6/4 DSC)	Stk. Pcs.	150 E-MPL (8/6 ESC)	Stk. Pcs.	200 E-MPL (10/8 EM/ESC)	Stk. Pcs.	250 F-MPL (12/10 FM)	Stk. Pcs.	300 S-MPL	Stk. Pcs.	350 S-MPL	Stk. Pcs.	400 ST-MPL	Stk. Pcs.	450 ST-MPL	Stk. Pcs.	500T-MPL	Stk. Pcs.	550TU-MPL	Stk. Pcs.	Art. Nr.
B 001 M	1	C 001 M	1	D 001 M	1	E 001 M	1	E 001 M	1	F 001 M	1	S 001 M	1	S 001 M	1	S 001 M	1	S 001 M	1	T 001 M	1	T 001 M	1	1
B 003 M	1	C 003 M	1	D 003 M	1	E 003 M	1	E 003 M	1	F 003 M	1	S 003 M	1	S 003 M	1	ST 003 M	1	ST 003 M	1	T 003 M	1	TU 003 M	1	2
B 004 M	1	C 004 M	1	D 004 M	1	E 004 M	1	E 004 M	1	F 004 M	1	S 004 M	1	S 004 M	1	S 004 M	1	S 004 M	1	T 004 M	1	T 004 M	1	3
BSC 005 M	1	CAM 005 M	1	DSC 005 M	1	ESC 005 M	1	EAM 005 M	1	F 005 M	1	S 005 M	1	S 005 M	1	S 005 M	1	S 005 M	1	T 005 M	1	T 005 M	1	4
B 009	2	C 009	2	D 009	2	E 009	2	E 009	2	F 009	2	S 009	1	S 009	1	S 009	1	S 009	1	T 009	1	T 009	1	5
---	---	---	---	---	---	---	---	---	---	---	---	S 009 D	2	S 009 D	2	S 009 D	2	S 009 D	2	T 009 D	1	T 009 D	1	
B 011	4	C 011	4	D 011	4	E 011	4	E 011	4	F 011	4	F 011	4	F 011	4	F 011	4	F 011	4	T 011	4	T 011	4	6
B 012 M	4	C 012 M	4	D 012 M	4	E 012 M	4	E 012 M	4	F 012 M	4	F 012 M	4	F 012 M	4	F 012 M	4	F 012 M	4	T 012 M	4	T 012 M	4	7
BL 5013	1	CL 75013	1	DL 10013	1	EL 15013	1	F 8013	1	F 10013	1	SL 30013	1	SL 35013	1	TL 40013	1	TL 45013	1	TL 50013	1	UL 55013	1	8
BSC 015 M	4	CSC 015 M	4	DSC 015 M	4	EL 015 M	4	F 8015 M	6	F 10015 M	6	S 30015 M	10	S 30015 M	10	T 45015 M	10	T 45015 M	10	T 50015 M	7	UL 55015 M	10	9
---	---	---	---	---	---	---	---	---	---	---	---	---	---	---	---	---	---	---	---	---	---			
B 024-10	2	C 024-10	2	D 024-10	2	E 024-10	2	E 024-10	2	F 024-10	2	S 024-10	2	S 024-10	2	S 024-10	2	S 024-10	2	T 024-10	2	T 024-10	2	10
B 025	10	C 025	10	D 025	10	E 025	10	E 025	10	F 025	10	S 025	2	S 025	2	S 025	2	S 025	2	T 025	2	T 025	2	11
B 027 M	8	C 027 M	8	D 027 M	8	E 027 M	16	E 027 M	16	F 027 M	16	S 027 M	16	S 027	16	S 027	16	S 027	16	T 027 M	16	T 027 M	16	12
BSC 028	1	CSC 028	1	DSC 028	1	ESC 6028	1	EAM 028	1	F 028	1	SL 30028	1	SL 35028	1	STL 40028	1	STL 45028	1	TL 45028	1	TUL 55028	1	13
BSC 029	1	CSC 029	1	DSC 029	1	ESC 6029	1	EAM 029	1	F 029	1	SL 30029	1	SL 35029	1	STL 40029	1	STL 45029	1	TL 45029	1	TUL 55029	1	14
BL 5032	1	CL 75032	1	DL 10032	1	EL 15032	1	EM 8032	1	F 10032	1	SL 30032	1	SL 35032	1	TL 40032	1	TL 45032	1	TL 50032	1	UL 55032	1	15
---	---	---	---	---	---	---	---	E 034 M	3	F 034 M	3	F 034 M	3	S 034 M	3	---	---	ST 034 M	3	T 034 M	5	TU 034 M	5	16
B 039 M	3	C 039 M	3	D 039 M	3	E 039 M	3	---	---	---	---	---	---	---	---	ST 039 M	3	---	---	---	---	---	---	17
32041	1	43041	1	64041	1	86041	1	F 8041	1	F 10041	1	SL 30041	1	S 35041	1	T 40041	1	T 45041	1	TL 50041	1	U 55041	1	18
BSC 044	1	C 044	1	D 044	1	E 044	1	E 044	1	F 044	1	S 044	1	S 044	1	S 044	1	S 044	1	T 044	1	T 044	1	19
B 045 M	2	C 045 M	2	D 045 M	2	E 045 M	2	E 045 M	2	F 045 M	2	G 045 M	4	G 045	4	G 045	4	G 045	4	T 045 M	4	T 045 M	4	20
B 046	2	C 046	2	D 046	2	E 046	2	E 046	2	F 046	2	---	---	---	---	---	---	---	---	---	---	---	---	21
32053	1	43053	1	64053	1	86053	1	---	---	---	---	---	---	---	---	---	---	---	---	---	---	---	---	22
32056	1	43056	1	64056	1	86056	1	---	---	---	---	---	---	---	---	---	---	---	---	---	---	---	---	
BL 5060	1	CL 75060	1	DL 10060	1	EL 15060	1	F 8060	1	F 10060	1	S 30060	1	S 35060	1	T 40060	1	T 45060	1	T 50060	1	U 55060	1	23
B 061	1	C 061	1	D 061	1	E 061	1	E 061	1	F 061	1	---	---	---	---	---	---	---	---	---	---	---	---	24
B 062-10	2	C 062-10	2	D 062-10	2	E 062-10	2	E 062-10	2	F 062-10	2	S 062-10	1	S 062-10	1	S 062-10	1	S 062-10	1	T 062-10	1	T 062-10	1	25
---	---	---	---	---	---	---	---	---	---	---	---	S 062 DM-10	1	S 062 DM-10	1	S 062 DM-10	1	S 062 DM-10	1	T 062 DM-10	1	T 062 DM-10	1	
BSC 063	1	C 063	1	D 063	1	E 063	1	E 063	1	F 063	1	S 063	1	S 063	1	S 063	1	S 063	1	T 063	1	T 063	1	26
---	---	CSC 064	1	---	---	---	---	F 064	1	---	---	---	---	---	---	---	---	---	---	---	---	---	---	27
BSC 067	1	C 067	1	D 067	1	E 067	1	E 067	1	F 067	1	S 067	1	S 067	1	S 067	1	S 067	1	T 067	1	T 067	1	28
B 070	1	C 070	1	D 070	1	E 070	1	E 070	1	F 070	1	S 070	1	S 070	1	S 070	1	S 070	1	T 070	1	T 070	1	29
BSC 073	1	CAM 073 M	1	DSC 073 M	1	ESC 073 M	1	EAM 073 M	1	F 073 M	1	S 073 M	1	S 073 M	1	S 073 M	1	S 073 M	1	T 073 M	1	T 073 M	1	30
BSC 075	1	C 075	1	D 075	1	E 075	1	E 075	1	F 075	1	S075/S076	1	S075/S076	1	S075/S076	1	S075/S076	1	T075/T076	1	T075/T076	1	31
BSC 078	1	CSC 078	1	DSC 078	1	ESC 6078	1	EAM 078	1	F 078	1	S 078	1	SL 30078	1	STL 40078	1	STL 45078	1	TL 45078	1	TU 18078	1	32
---	---	---	---	---	---	---	---	F 8083	1	F 10083	1	SL 30083	1	SL 35083	1	TL 40083	1	TL 45083	1	TL 50083	1	UL 55083	1	33
B 089-10	2	C 089-10	2	D 089-10	2	E 089-10	2	E 089-10	2	F 089-10	2	FX 089-10	2	FX 089-10	2	FX 089-10	2	FX 089-10	2	T 089-10	2	T 089-10	2	34
B 108	4	C 108	4	D 108	4	E 108	4	E 108	4	F 108	4	S 108	4	S 108	4	S 108	4	S 108	4	T 108	4	T 108	4	35
BSC 109	3	C 109	2	D 109	3	E 109	3	E 109	2	F 109	3	---	---	---	---	S 109	3/4	S 109	3/4	T 109	3/4	T 109	3/4	36
BL 5110	1	CL 75110	1	DL 10110	1	EL 15110	1	F 8110	1	F 10110	1	SL 30110	1	SL 35110	1	TL 40110	1	TL 45110	1	TL 50110	1	UL 55110	1	37
BSC 111	2/4	C 111	2/4	D 111	2/4	E 111	2/4	E 111	2/4	F 111	2/4	S 111	2/5	S 111	2/5	S 111	2/5	S 111	2/5	T 111	2/5	T 111	2/5	38
BSC 117	1	CSC 117	1	DSC 117	1	ESC 6117	1	F 117	1	F 117	1	---	---	---	---	---	---	---	---	---	---	---	---	39
BSC 118	1	C 118	1	D 118	1	E 118	1	E 118	1	F 118	1	S 118	1	S 118	1	S 118	1	S 118	1	T 118	1	T 118	1	40
32122	1	43122	1	64122	1	86122	1	F 122	1	F 122	1	S 30122	1	S 35122	1	T 40122	1	T 45122	1	T 50122	1	U 18122	1	41
B 50124	1	CL 75124	1	64124	1	86124	1	F 8124	2	F 10124	2	S 30124	2	S 35124	2	T 40124	2	T 45124	2	T 50124	2	U 55124	2	42
B 50124	1	CL 75124	1	DL 10124	1	E 15124	1	---	---	---	---	---	---	---	---	---	---	---	---	---	---	---	---	43
B 126 M	2	C 126 M	3	D 126 M	2	E 126 M	2	E 126 M	2	F 126 M	2	G 126 M	2	G 126 M	2	G 126 M	2	G 126 M	2	G 126 M	2	G 126 M	2	44
BL 5132	1	CL 75132	1	DL 10132	1	EL 15132	1	F 8132 L	1	F 10132 L	1	S 30132	1	S 35132	1	T 40132	1	T 45132	1	T 50132	1	U 55132	1	45
B 138	1	B 138	1	D 138	1	D 138	1	D 138	1	D 138	1	G 138	1	G 138	1	G 138	1	G 138	1	G 138	1	G 138	1	46
---	---	---	---	---	---	---	---	F 8147	1	F 10147	1	RSL 30147	1	SL 35147	1	STL 40147	1	STL 45147	1	TL 50147	1	TUL 55147	1	47
---	---	---	---	---	---	---	---	---	---	---	---	CSC 210	3/4	CSC 210	3/4	---	---	CSC 210	3/4	---	---	---	---	48
---	---	---	---	---	---	---	---	---	---	---	---	S 239 M	1	S 239 M	1	S 239 M	1	S 239 M	1	T 239 M	1	T 239 M	1	49